

Town of Dekorra
 W8460 Bilkie Rd
 Poynette, WI 53955
 608-635-2014
 dekorra@centurytel.net

Driveway and Access Permit Application

Application date _____

Driveway Completion date _____

Permit # _____

| | | | | | | | | | |
|---|-----------------|---|---|-------------------------------------|-------------|----------------|----------------------|--|----------|
| Owner/Applicant Name: | | | | | | | | | |
| Mailing address: | | | | | City, State | | | Zip code | |
| Primary phone: | | | Daytime phone: | | | Email address: | | | |
| Request for permit at: | | | | | | | | | |
| Parcel number | | Legal description (section, Town, range, quarter/quarter) | | | | | Road being accessed: | | |
| Purpose of driveway: | | | | | | | | | |
| Closest Neighbor's Address/ERNs: | | | | | | | | | |
| | Address/ ERN | Road name | Distance to new Access/Driveway in feet | Direction to new Access/Driveway | | | | Side of road to new Access/Driveway | |
| Neighbor #1 | | | | North | South | East | West | Same | Opposite |
| Neighbor #2 | | | | North | South | East | West | Same | Opposite |

Location

- County Road - Access permit # _____
- Town Road
- Private Road

Type of driveway surface

- Concrete Asphalt Dirt Sod Gravel
- Asphalt/Concrete Other _____

- **NO STEEL TRACKED EQUIPMENT OR VEHICLES ON TOWNSHIP ROADS – PROTECTIVE MEASURES REQUIRED WHEN LOADING, UNLOADING (UNDER TRAILER RAMPS AND TONGUE JACK, ETC) OR WHEN DRIVING HEAVY EQUIPMENT PER ORDINANCE 8.08 & 8.09.**
- **CONCRETE DRIVEWAYS SHALL TERMINATE THREE (3) FEET FROM THE EDGE OF THE CONNECTING ROADWAY. THE REMAINING THREE (3) FEET OF DRIVEWAY SHALL BE ASPHALT PAVEMENT AND MATCH TO THE CONNECTING ROADWAY.**
- County Roads require an "Access Permit" be obtained from the Columbia County Highway Department at (608)429-2156.
- Include a detailed site plan showing where the driveway/access will be located and the distances to the nearest driveways and cross streets.
- **Applicant shall place flags or markers in ditch visible from roadway at the location of proposed driveway.**

I have read and understand the terms of this permit application:

Applicant signature: _____ Date: _____

The above request has been granted on the following conditions:

- This permit is granted for a period not to exceed 12 months from issue date.
 - The applicant shall notify the Streets Department 48 hours prior to starting the work
 - **Other special provisions:** _____
- _____
- **Fee is paid in full.** FEE _____ Date Paid: _____ Check # _____

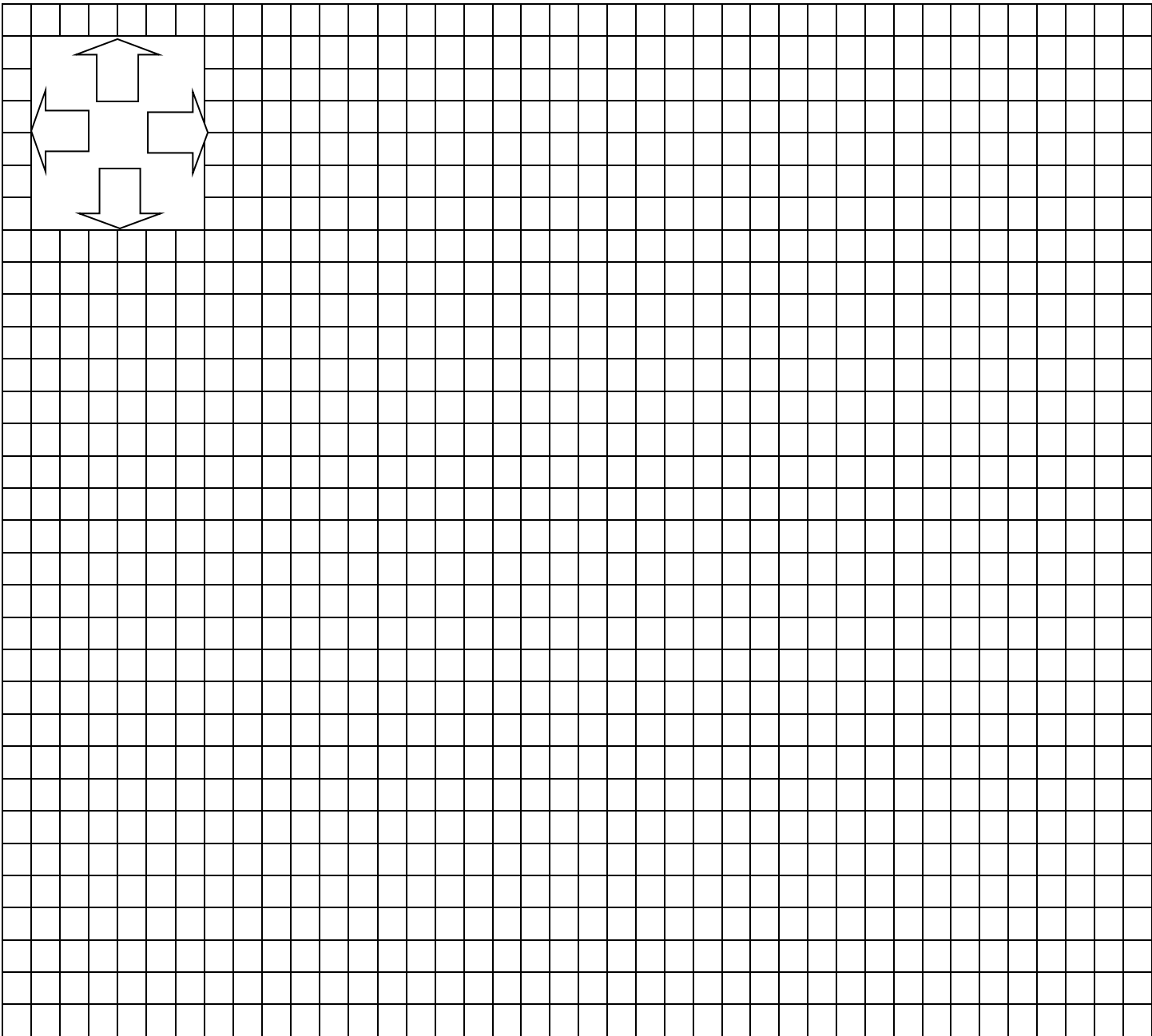
Issue date: _____ Approved and issued by: _____

Site Plan

What is the shortest distance measured from your proposed building project to:

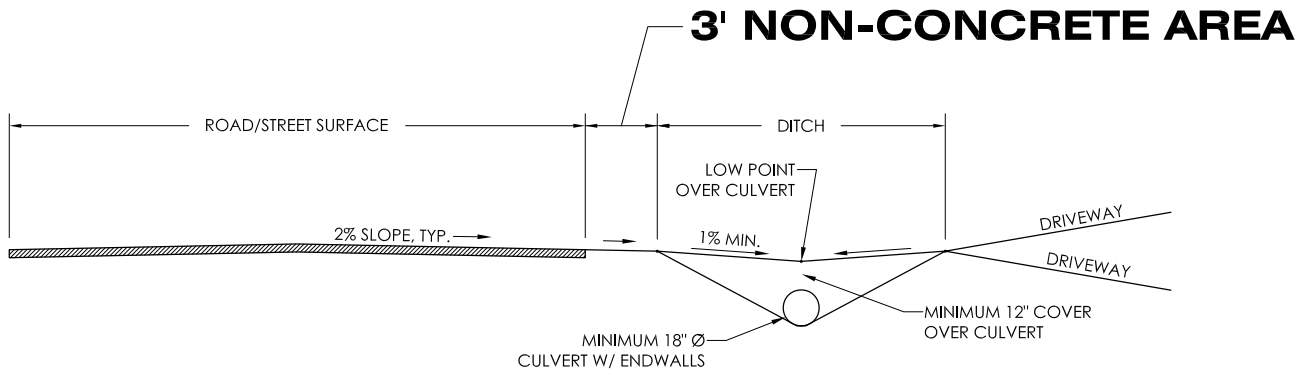
(These distances should also be on your site plan below)

- Center line of road -----> _____ ft.
- Front property line or Road Right-of-Way -----> _____ ft.
- Back lot line -----> _____ ft.
- Side lot line -----> _____ ft.
- Side lot line -----> _____ ft.
- Nearest body of water (lake, pond, river, stream) -----> _____ ft.



NOTES:

- 1. NO CONCRETE SHALL BE PLACED WITHIN 3 FEET OF EDGE OF ROADWAY.**
- 2. 2% MINIMUM DRIVEWAY CROWN OR CROSS SLOPE**



DRIVEWAY STANDARD

SCALE: NONE

This document contains confidential or proprietary information of General Engineering Company. Neither this document nor the information herein is to be reproduced, distributed, used or disclosed either in whole or in part except as specifically authorized by General Engineering Company.

DRIVEWAY STANDARD

Town of Dekorra
Columbia County, WI



916 Silver Lake Dr.
P.O. Box 340
Portage, WI 53901
608-742-2169
608-742-2592 Fax
gec@generalengineering.net

DATE Feb 2011
BY
GEC FILE NO. 0000-00

SHEET TITLE
1.0

SECTION 8.09 **MEASURES TO PROTECT TOWN ROADS.****(a) Definitions.**

- (1) Heavy Equipment. All vehicles not operating completely on pneumatic tires and all vehicles or combination of vehicles, other than motor buses, not licensed for operation on public highways, and having a gross weight of more than 6,000 pounds.

(b) Protection of Roadway.

No person shall load, unload, drive or permit the loading, unloading or driving of heavy equipment onto the roadway of a Town highway, as defined in Wis. Stats. § 340.01(54), without placing material upon the roadway designed to protect the roadway from any damage caused by but not limited to heavy equipment, trailer tongues or ramp edges. Such protective measures for the Town roadway include, but are not limited to, mats, sand, tires or plywood sheets or a combination thereof as required to meet the particular circumstance. **[Amended by Ord. No. 2009-08, 6/23/09.]**

(c) Forfeiture and Penalty.

Any person who fails to protect the Town roadway from heavy equipment by loading, unloading or driving on, as set forth in (b) above, shall be subject to forfeiture pursuant to Section 1.03 of this Code and shall be liable for the cost of repairs of damage caused. Town will have damage repaired and will bill the individual causing damage, to be paid within 30 days of billing or incur interest penalty of 1% per month.

(d) Exception.

This section shall not apply to the unloading of heavy equipment onto a Town roadway when the purpose for unloading said heavy equipment is to repair or replace the section of the roadway onto which the heavy equipment is unloaded and such unloading or movement will not increase the cost of repair or replacement.

History Note: The above and foregoing Ordinance was duly adopted at a regular meeting of the Town Board of the Town of Dekorra on the 8th day of May, 2001 Ordinance 2001-05-08(b); repealed and recreated by the Town Board of Dekorra on the 9th day of September, 2003; repealed and recreated by Ord. 2007-13; amended June 23, 2009, Ord. No. 2009-08.